

# UU Series

## AC/DC Adaptor **18W** Series



▲ **UU318**



▲ **UUZ318**



▲ **UUE318**



▲ **UUL318**



▲ **UUR318**



▲ **UUA318**



▲ **UUK318**



■ Please contact our sales department for safety standard of each model.



### Product Highlights

- Stability
- small size
- Cost efficiency
- Suit Portable HDD, Portable GPS, PDA & network device

### Protection

- Short circuit protection
- Over Voltage Protection
- Over Current Protection

### Safety Approvals

- UL60950
- CAN/CSA C22.2 NO. 60950
- PSE
- IEC/EN60950-1

### Efficiency

- Meet DoE Level VI

### Emissions

- FCC Part15 Class B
- CE CISPR 32 Class B
- VCCI Class B

### Immunity

- EN55024/A1:2001

# Electrical Spec Absolute Maximum Rating

Input					
Description	Min	Typ	Max	Units	Comment
Voltage	90	100~240	264	VAC	
Frequency	47	50/60	63	Hz	

Environmental					
Description	Min	Typ	Max	Units	Comment
Operating Temperature	0	-	40	°C	Free Convection,Sea level
Storage Temperature	-20	-	65	°C	Free Convection,Sea level
Operating Humidity	5	-	95	%RH	No Condensing
Storage Humidity	5	-	95	%RH	No Condensing

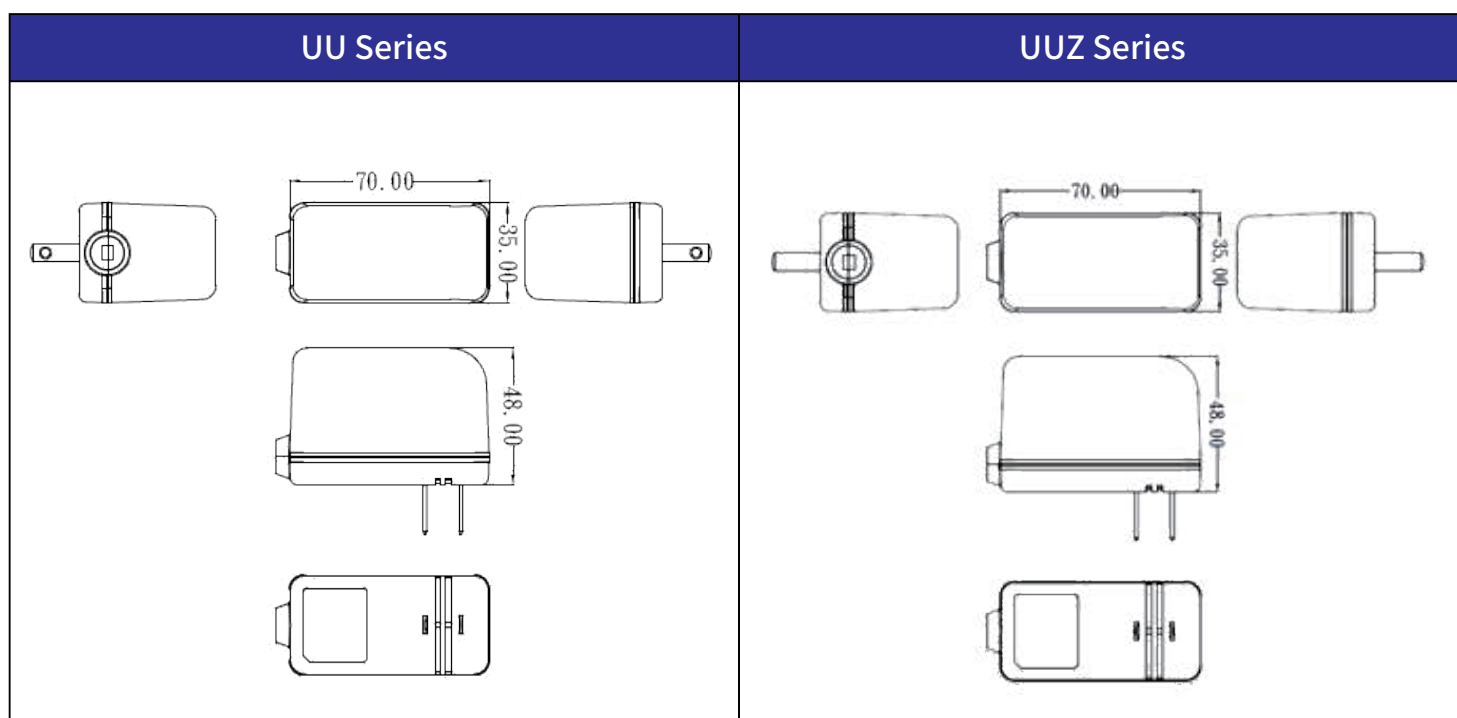
## Typical model list

Input Condition	DC Output Voltage	DC Output Current	Output Voltage Precision	Ripple	Noises	Regulation		Option/Remark	
						Line	Load		
Input Voltage: 90V-264Vac Frequency: 47-63Hz	1	5V	2.0A	±5%	260mV	260mV	2%	10%	
	2	5V	3.0A	±5%	420mV	420mV	2%	10%	
	3	5.9V	2.5A	±5%	150mV	150mV	2%	10%	
	4	9V	2.0A	±5%	100mV	180mV	2%	10%	
	5	12V	1.25A	±5%	200mV	200mV	2%	10%	
	6	12V	1.5A	±5%	200mV	200mV	2%	10%	
	7	15V	1.2A	±5%	200mV	200mV	2%	10%	
	8	24V	0.75A	±5%	300mV	300mV	2%	10%	
	9	48V	0.4A	±5%	150mV	200mV	2%	10%	

■ Measurement condition

1. Measurements shall be made with an oscilloscope with 20MHz bandwidth.
2. Outputs shall be bypassed at the connector with a 0.1uF ceramic disk capacitor and a 10uF electrolytic capacitor to simulate system loading.

## Mechanical Spec



UUE Series	UUA Series
<p>Technical drawings of the UUE Series AC/DC adaptor. The drawings include a front view, a side view with dimensions 70.00 (width) and 35.00 (height), and a rear view with dimension 66.30 (height). The rear view shows two output terminals.</p>	<p>Technical drawings of the UUA Series AC/DC adaptor. The drawings include a front view, a side view with dimensions 70.00 (width) and 40.00 (height), and a rear view with dimension 57.00 (height). The rear view shows two output terminals.</p>
UUK Series	UUR Series
<p>Technical drawings of the UUK Series AC/DC adaptor. The drawings include a front view, a side view with dimensions 70.00 (width) and 48.80 (height), and a rear view with dimension 55.20 (height). The rear view shows two output terminals.</p>	<p>Technical drawings of the UUR Series AC/DC adaptor. The drawings include a front view, a side view with dimensions 70.00 (width) and 35.00 (height), and a rear view with dimension 66.30 (height). The rear view shows two output terminals.</p>
UUL Series	
<p>Technical drawings of the UUL Series AC/DC adaptor. The drawings include a front view, a side view with dimensions 70.0 (width) and 33.0 (height), and a rear view with dimension 48.00 (height). The rear view shows two output terminals.</p>	

■ Please contact our sales department for details of each model ■